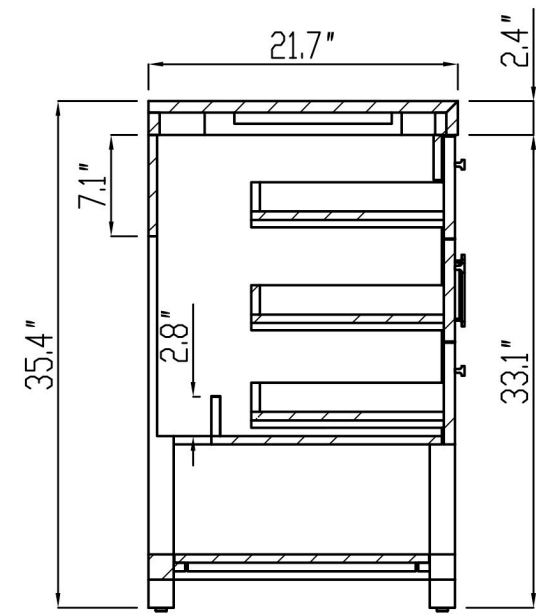
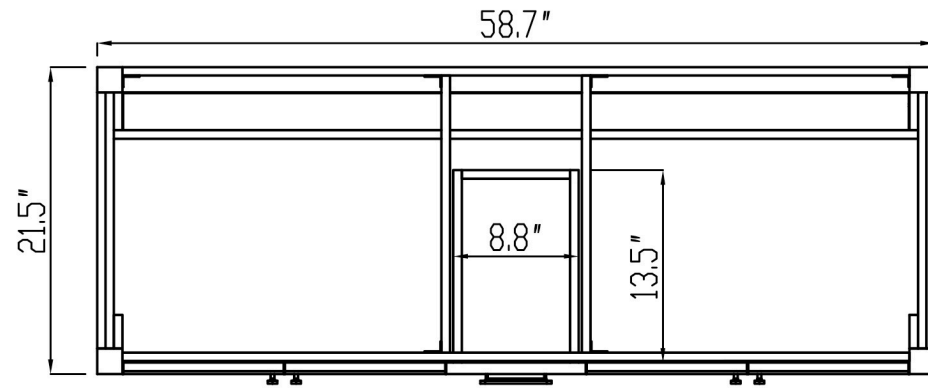


FRONT ELEVATION



SIDE ELEVATION



DRAWER PLAN DETAIL

**Revival 60"**